

# SELL WHERE YOUR CUSTOMERS ARE

INDOOR & OUTDOOR



topbox

www.TopBoxUnit.com

†  
t0pbox

---

## **ADDITIONAL INFORMATION**

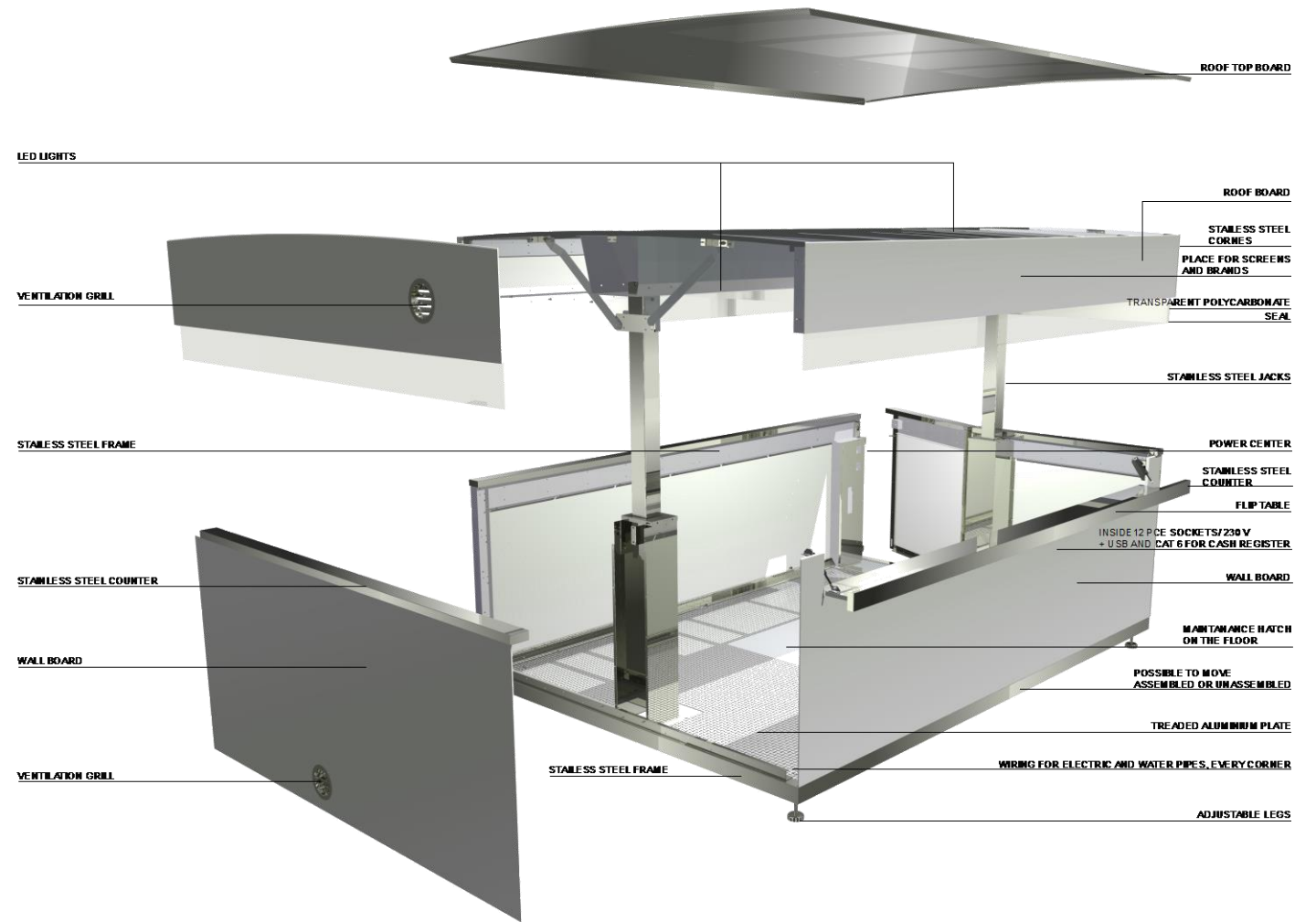
---

[WWW.TOPBOXUNIT.COM](http://WWW.TOPBOXUNIT.COM)



## TOPBOX BODY, BASIC CONSTRUCTION

- MANY MATERIAL AND COLOR OPTIONS
- TOPBOXES CAN BE COMBINED WITH EACH OTHER TO GET A LARGER ENTITY
- MODULAR CONSTRUCTION
- B1 LEVEL FIRE RESISTANT
- FAST CHANGE OF BRANDING, RE-TAPING OR CHANGING REMOVABLE BOARD



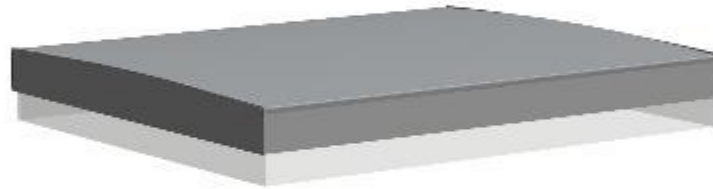
**TOPBOX ROOF TYPES  
(OPTIONS)**



STANDARD ROOF, TRANSPARENT  
COLLAR (23,29,41)



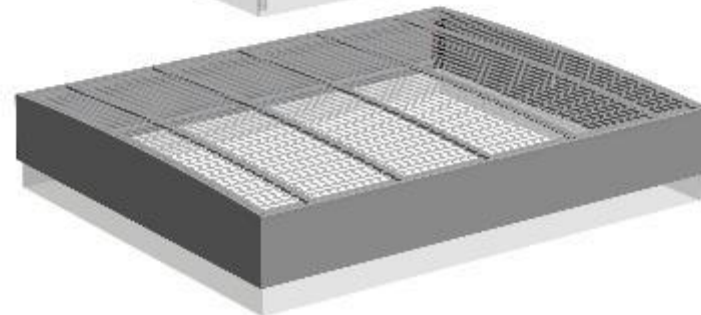
SLIM ROOF (23,29,41)



SLIM ROOF WITH TRANSPARENT  
COLLAR (23,29,41)



TRANSPARENT ROOF (41)



MESH ROOF FOR SPRINKLER USE  
(41)



# topbox

## TOPBOX ACCESSORIES

ALWAYS MADE ACCORDING  
TO THE NEEDS OF THE CUSTOMER



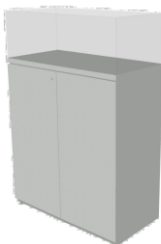
INTERNAL WATER SYSTEM



1200 mm

## A COLLECTION OF EXAMPLES

DISPLAYS AND CABINETS



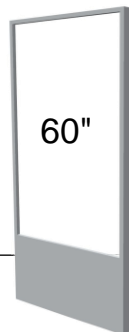
1200 mm

DISPLAYS AND CABINETS



1200 -  
1500 mm

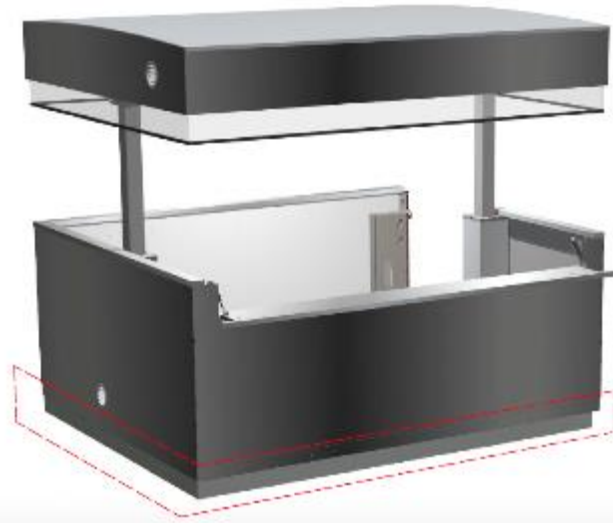
GLASS CABINETS



1500 mm

SCREENS

# topbox

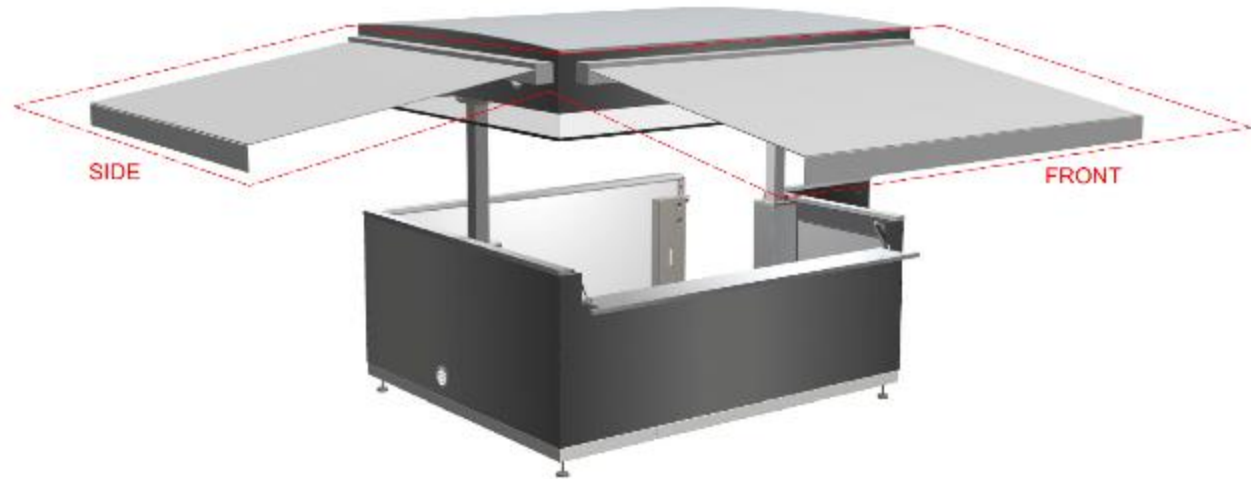


Plinth



Back curtains  
Side curtains

Awnings





## FRONT BAR COUNTERS

Bar counter SIS23

Bar counter SIS29

Bar counter SIS41

## SIDE BAR COUNTERS

Additional counter 250x1000

Additional counter 250x700

Additional counter 400 to back wall 23

Additional counter 400 to back wall 29

Additional counter 400 to back wall 41

Additional counter 400 to side wall SIS

Additional counter to back wall 23

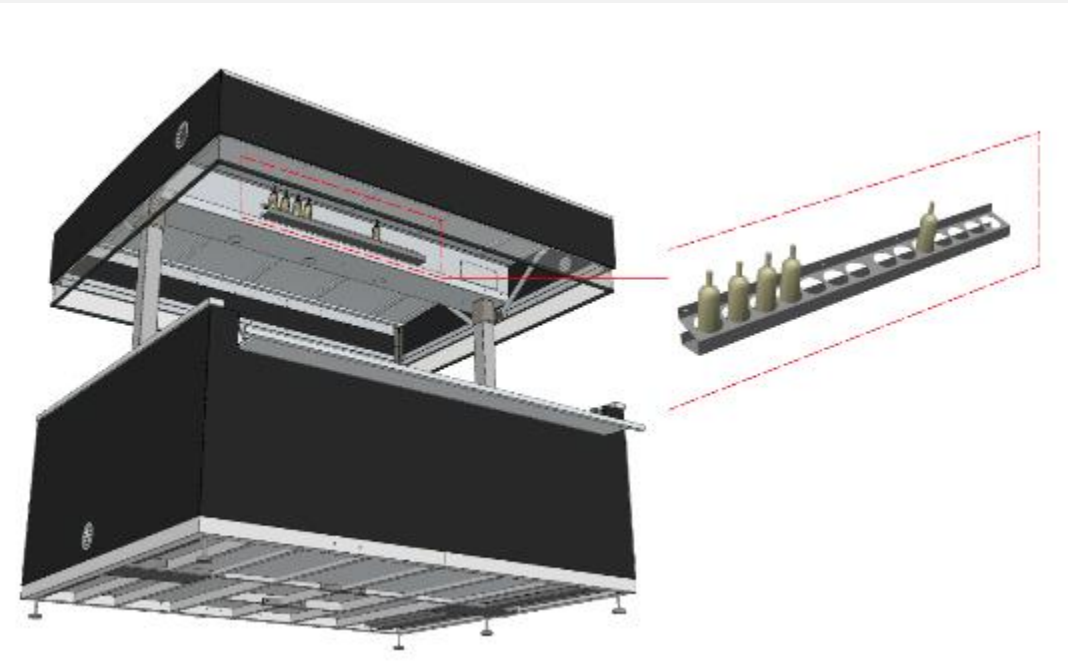
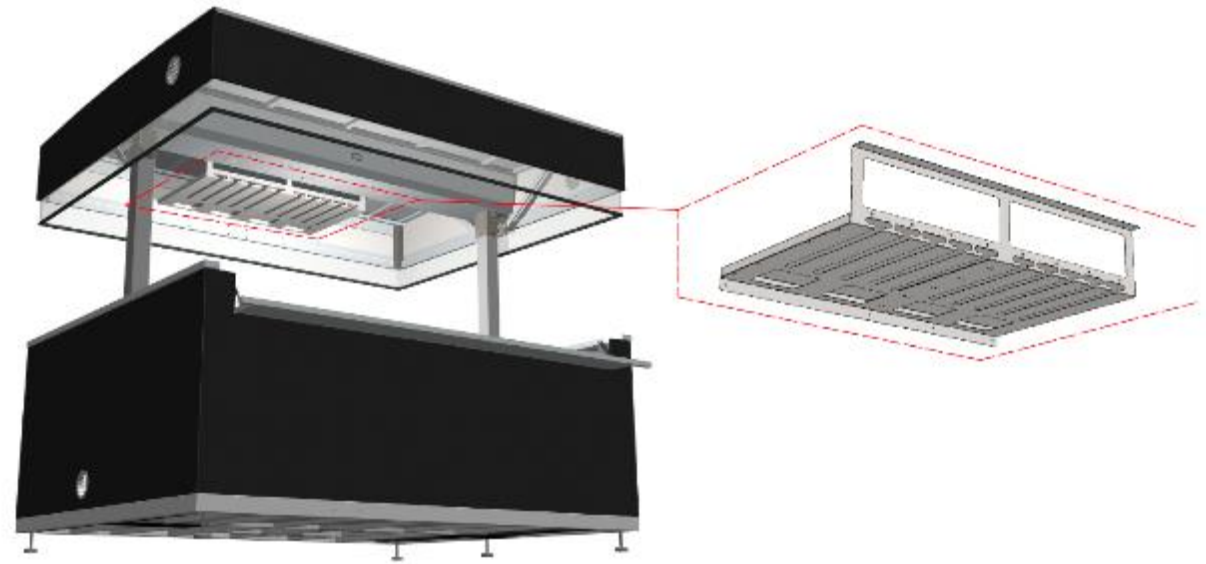
Additional counter to back wall 29

Additional counter to back wall 41

Additional counter to door wall SIS

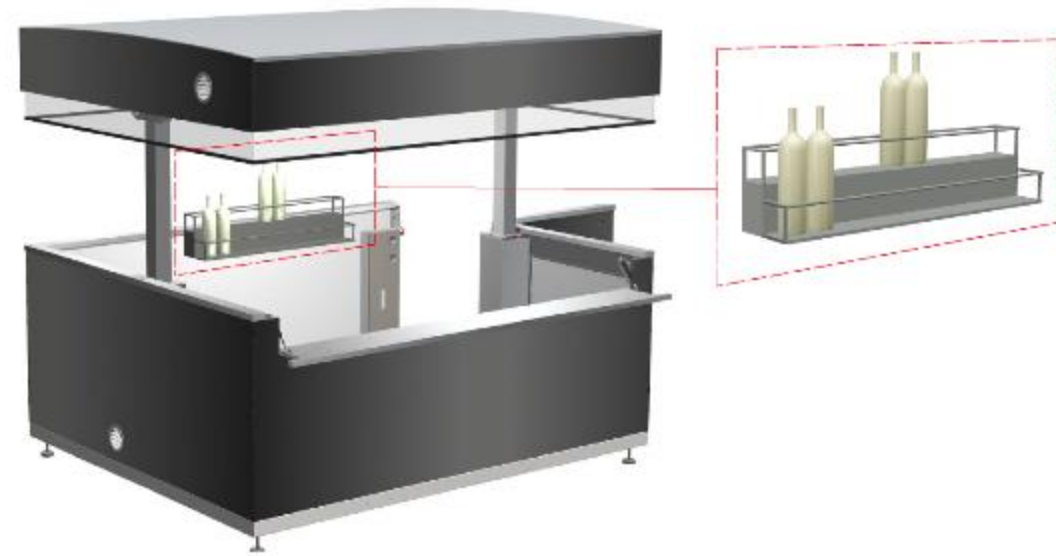
Additional counter to side wall SIS





Bottle display to the roof 1200 mm

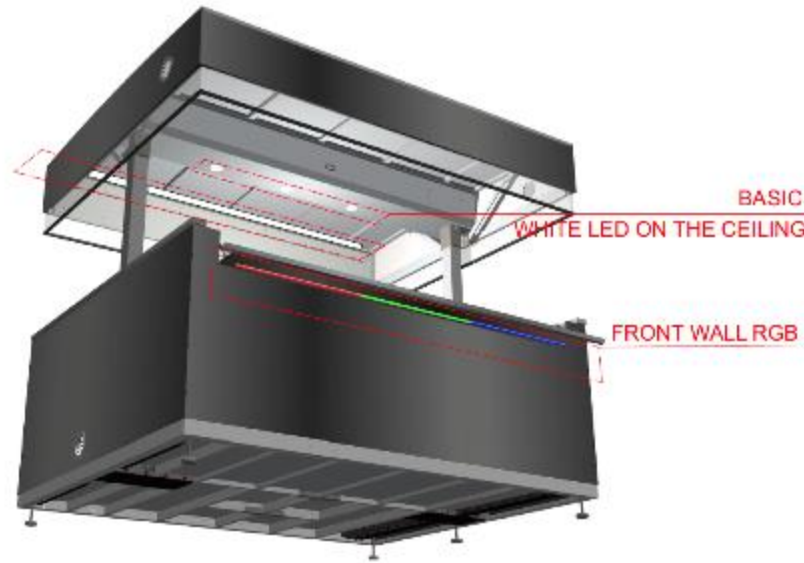




Bottle rack 600 mm  
Bottle rack 1000 mm

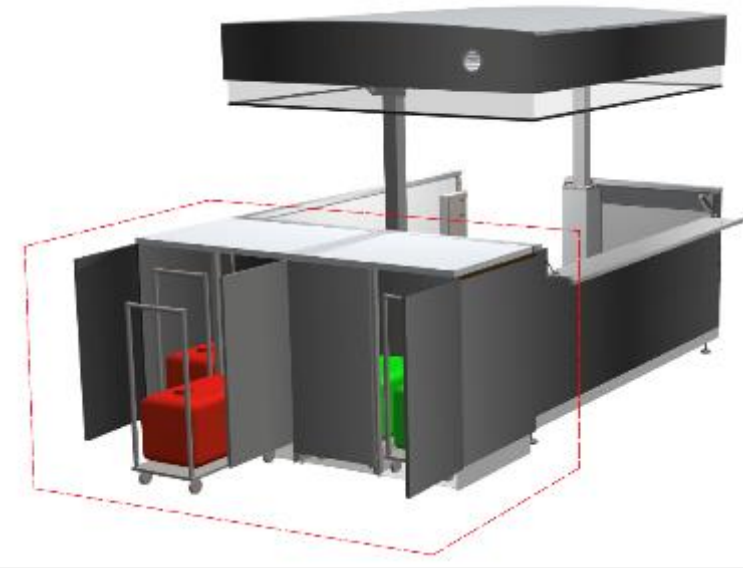
## ADDITIONAL LIGHTS

- Additional front light outside SIS23
- Additional front light outside SIS29
- Additional front light outside SIS35
- Additional front light outside SIS41
- Additional roof light 23
- Additional roof light 29
- Additional roof light 35
- Additional roof light 41
- Bottle holder led light
- Glass holder led light SIS

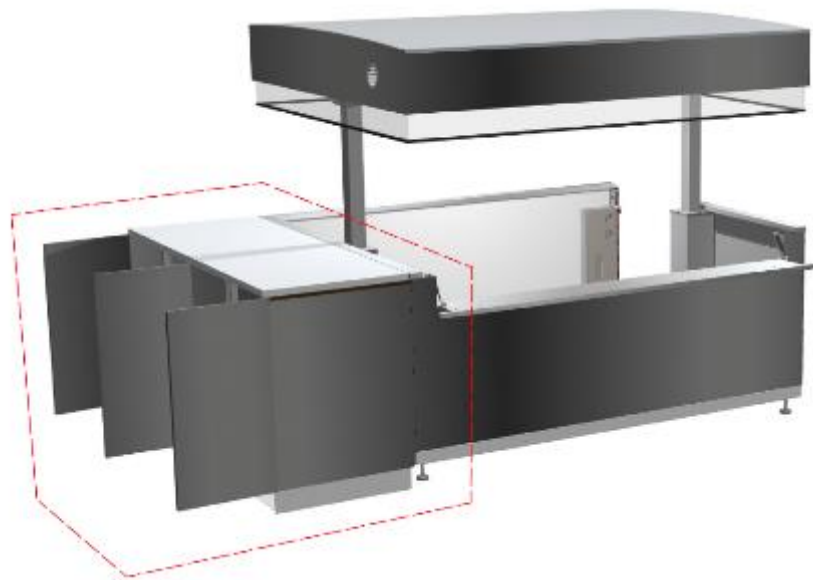


†**TOPBOX**

External water cabinet system



Sidecabinet



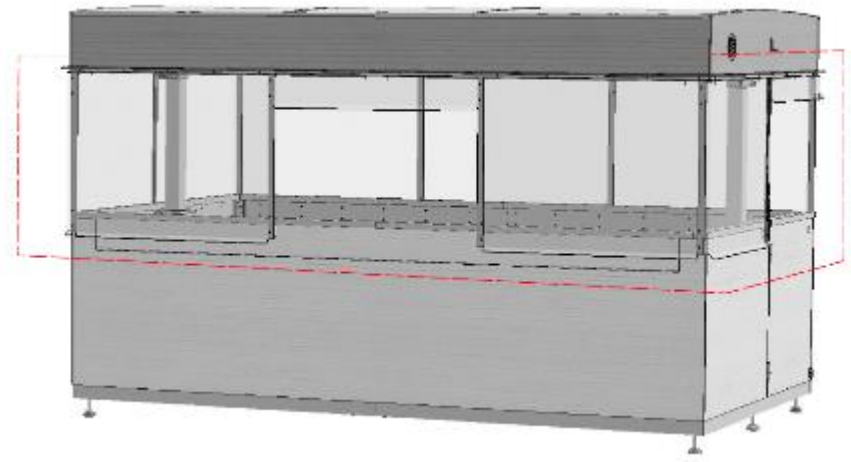
Caster wheels



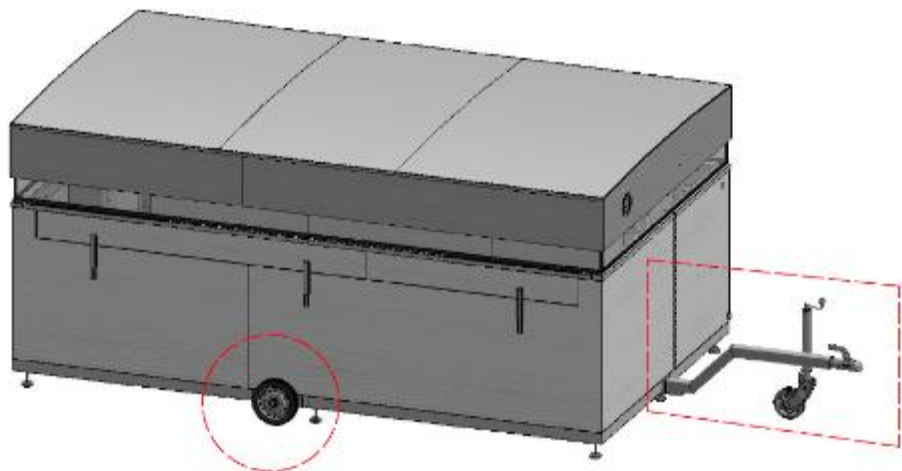
[www.TOPBOXUNIT.COM](http://www.TOPBOXUNIT.COM)

# † ԵՐԽՈՒՄ

Winter walls



Towing accessories





# BRANDING TOPBOX 23L:

FRONT WALL

BACK WALL

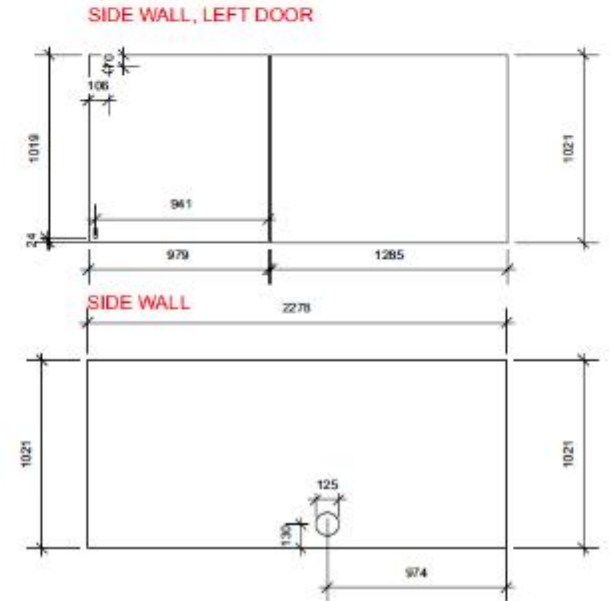
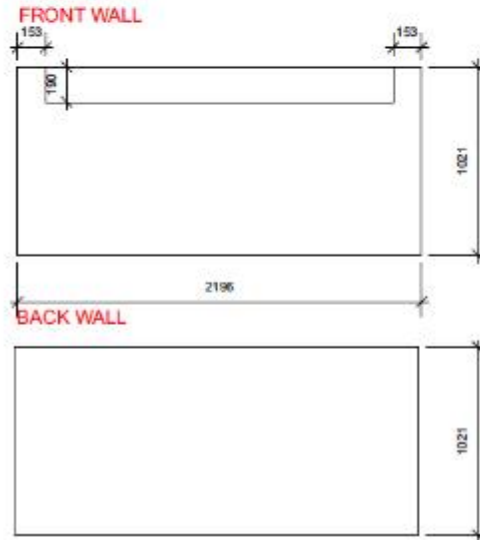
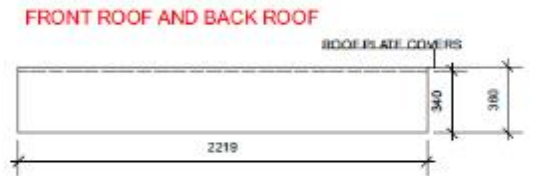
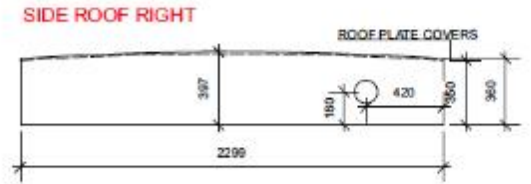
SIDE WALLS

FRONT ROOF

BACK ROOF

SIDE ROOFS

---



23L

## BRANDING TOPBOX 29L:

FRONT WALL

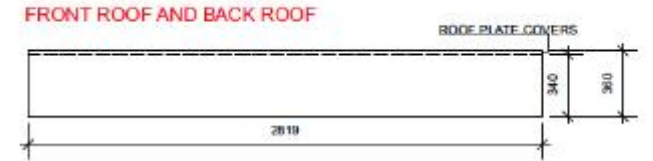
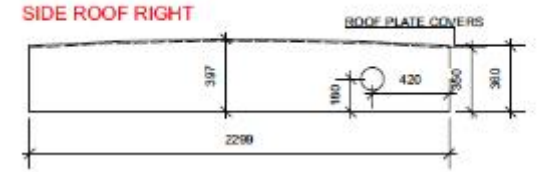
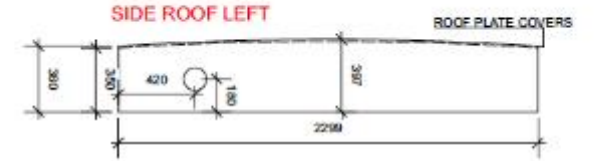
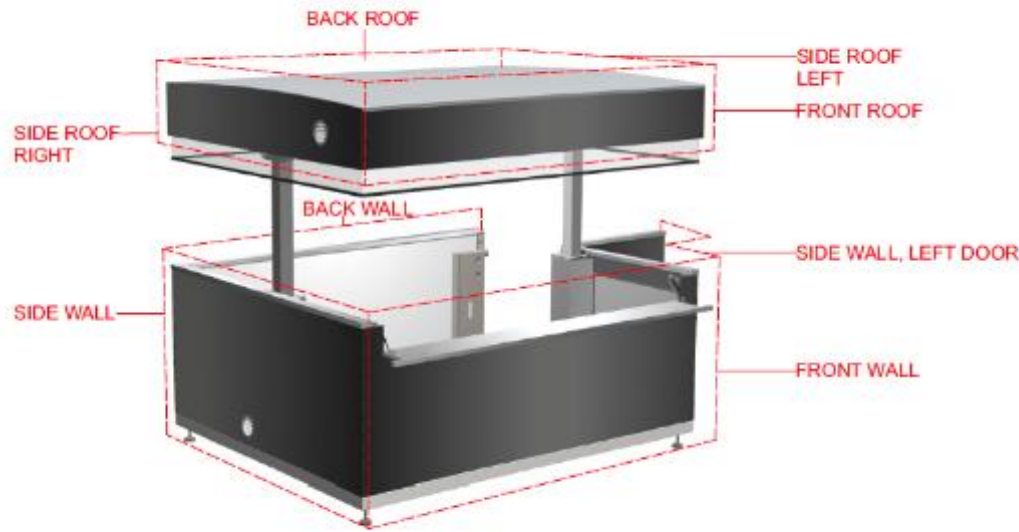
BACK WALL

SIDE WALLS

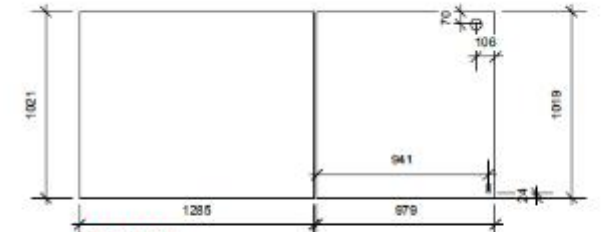
FRONT ROOF

BACK ROOF

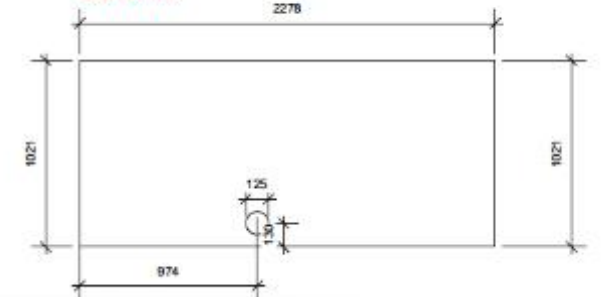
SIDE ROOFS



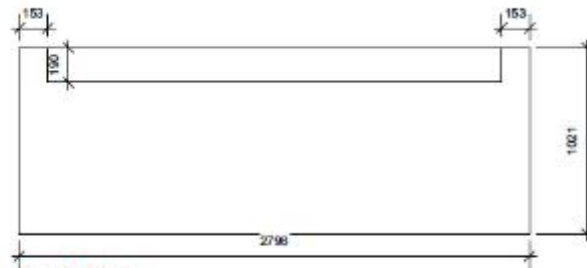
SIDE WALL, LEFT DOOR



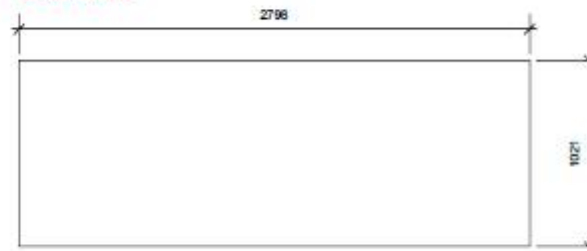
SIDE WALL



FRONT WALL



BACK WALL



29L

# topbox

## BRANDING TOPBOX 41L:

FRONT WALL

BACK WALL

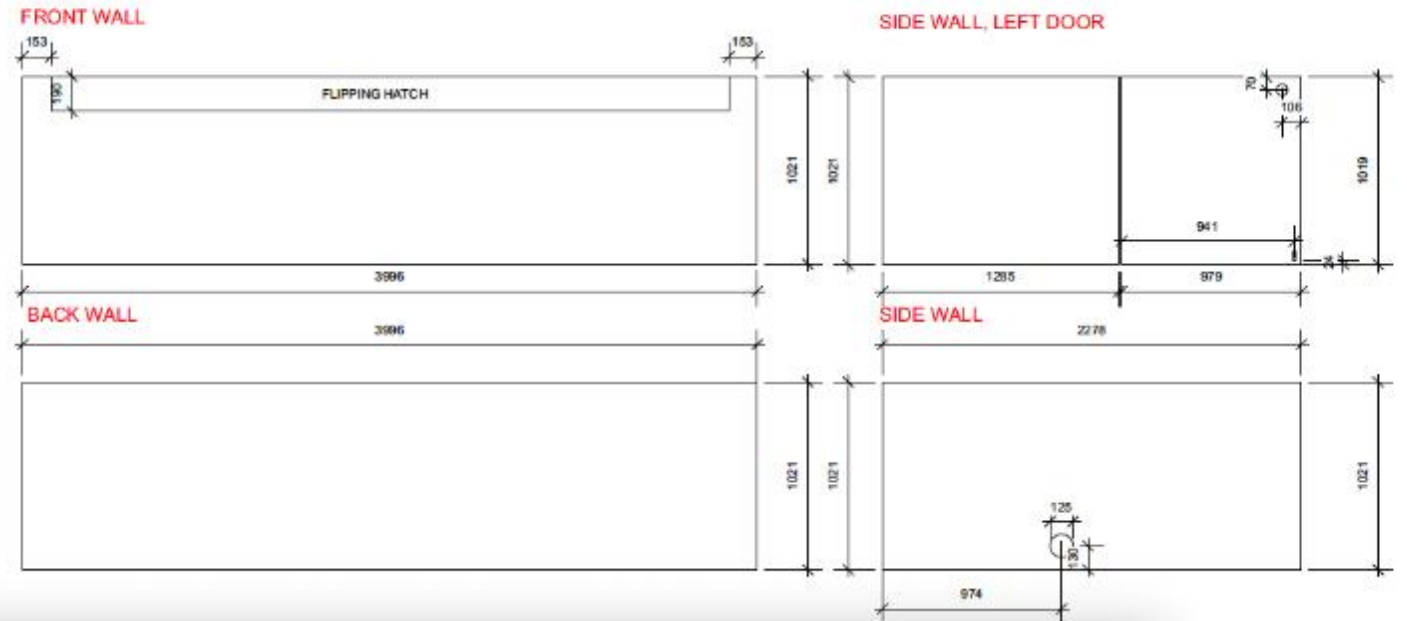
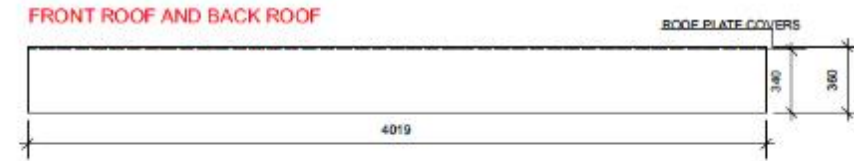
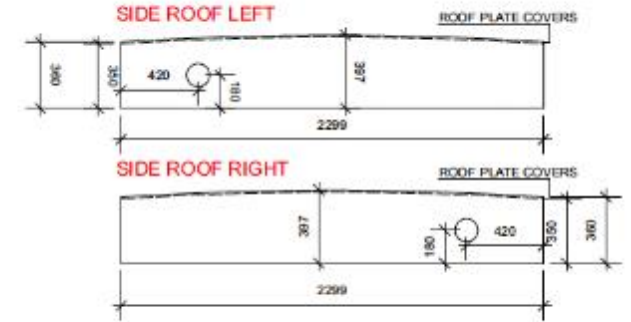
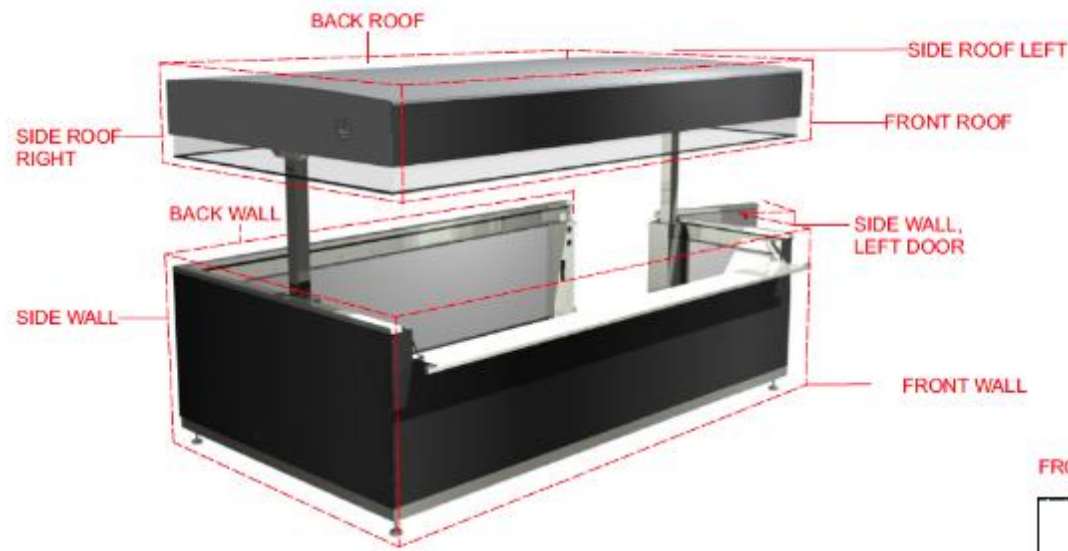
SIDE WALLS

FRONT ROOF

BACK ROOF

SIDE ROOFS

---



### 41L



BRANDING TOPBOX  
41L CAFE:

FRONT WALL

BACK WALL

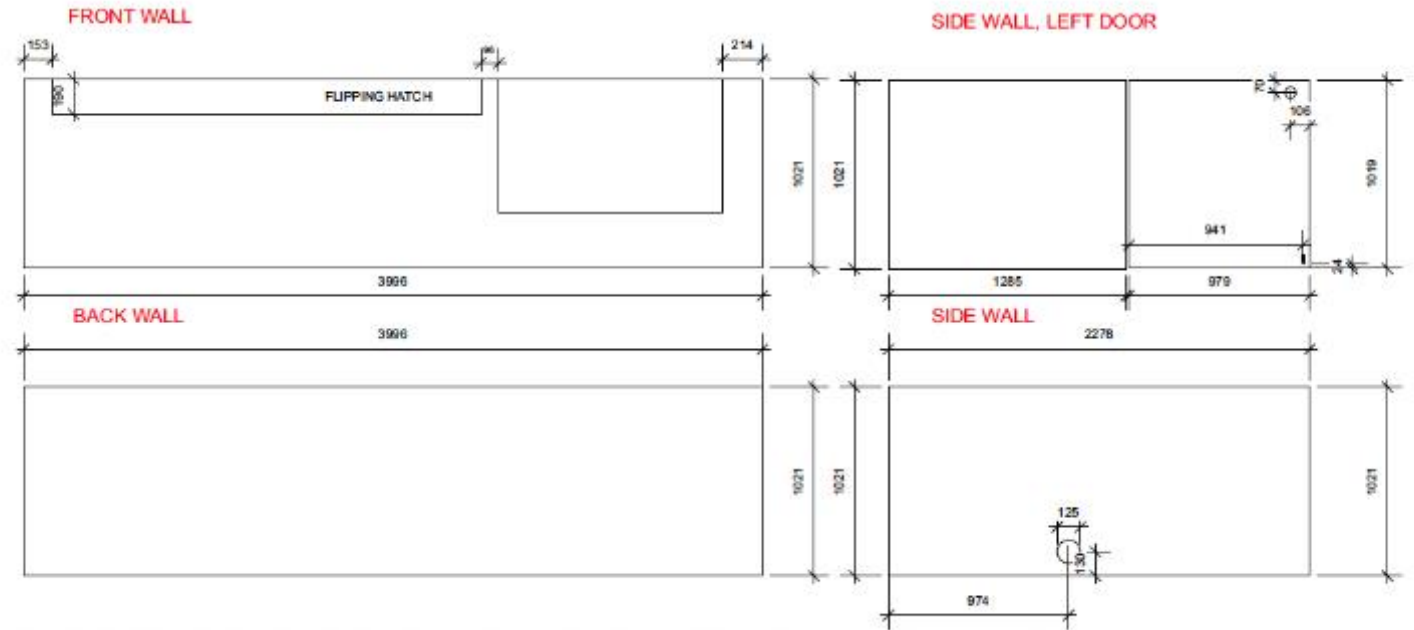
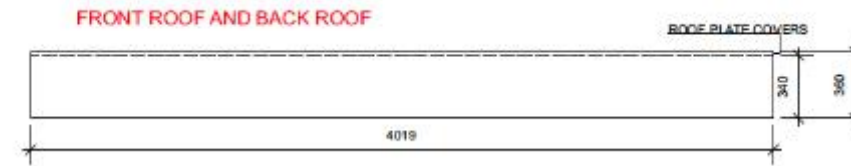
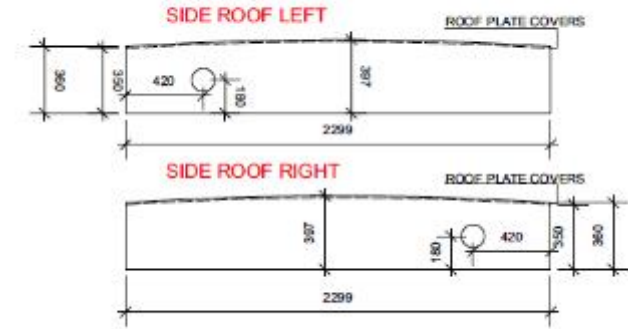
SIDE WALLS

FRONT ROOF

BACK ROOF

SIDE ROOFS

---



41L CAFE

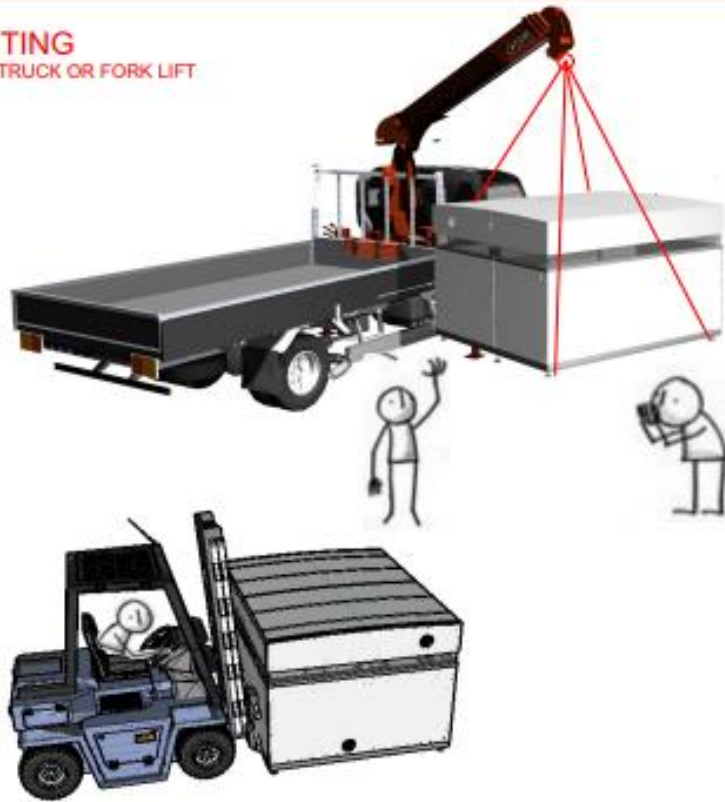
## 1. TRANSPORT

-CRANE TRUCK OR TRUCK



## 2. LIFTING

-CRANE TRUCK OR FORK LIFT



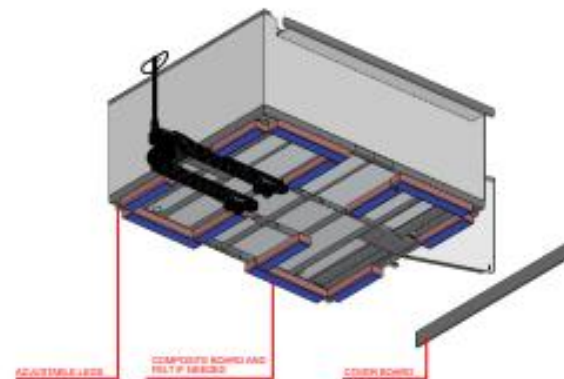
## 3. MOVEMENT

- PUMP TROLLEY  
- COVER THE FLOOR WITH A WOODEN BOARD



## 4. INSTALLATION WITH LEGS OR PLINTH

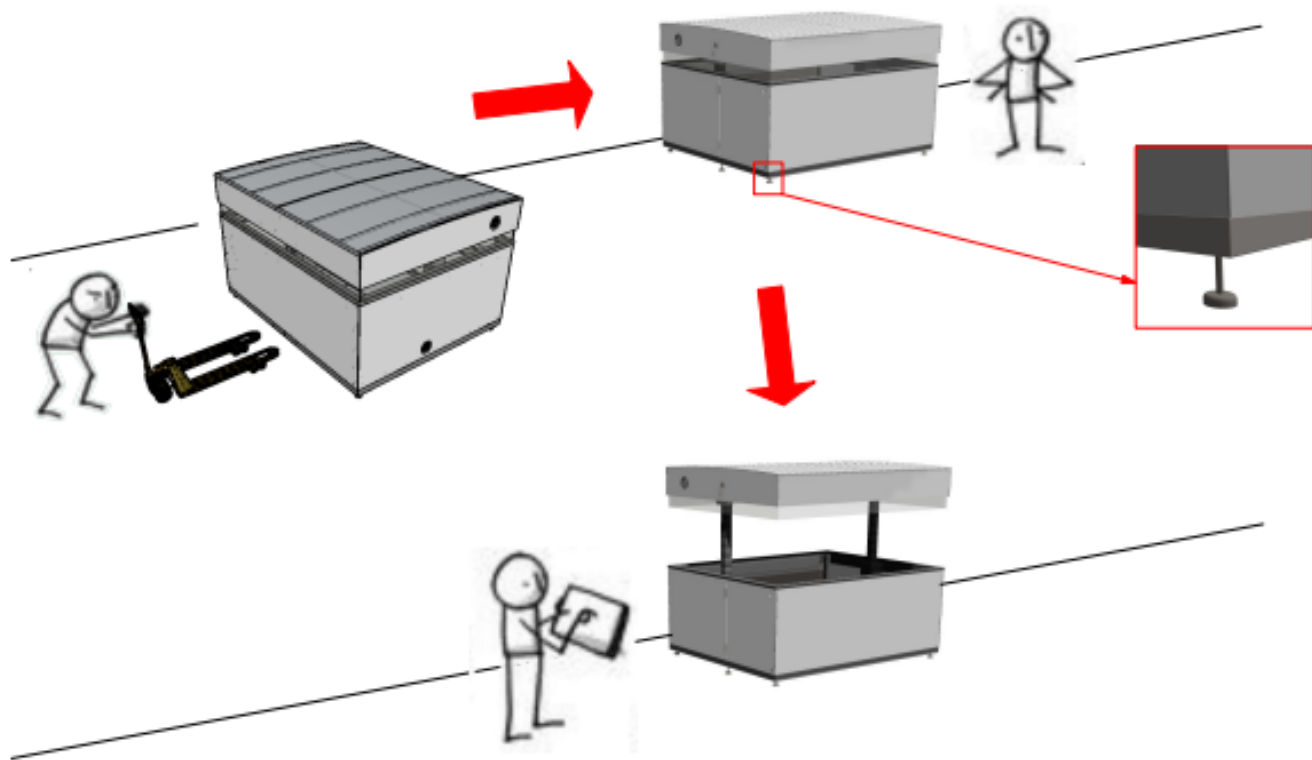
- ADJUSTABLE LEGS  
IF NEEDED:  
- COMPOSITE BOARDS, FELT UNDER



4

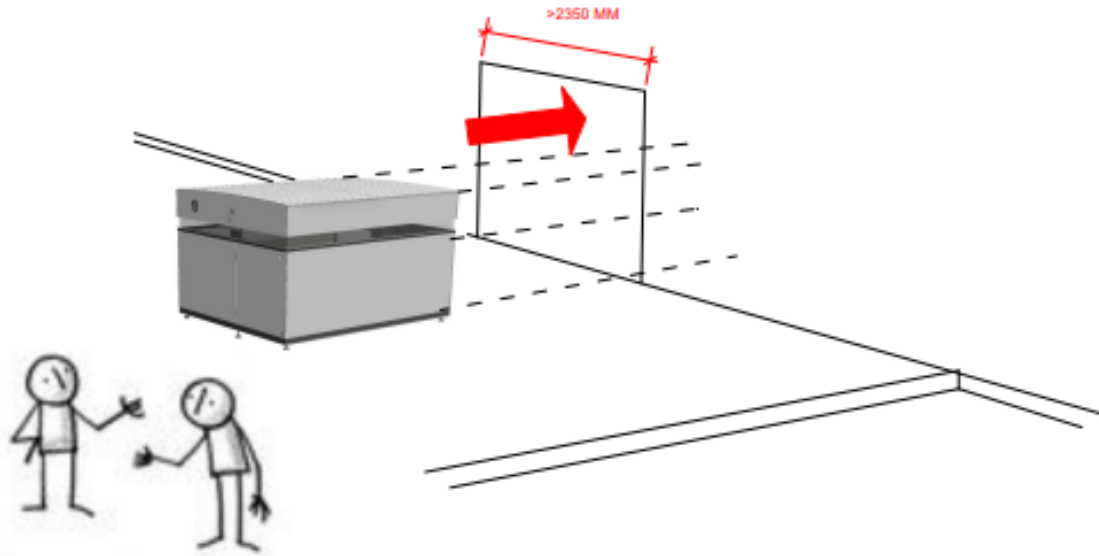
TRANSPORTATION



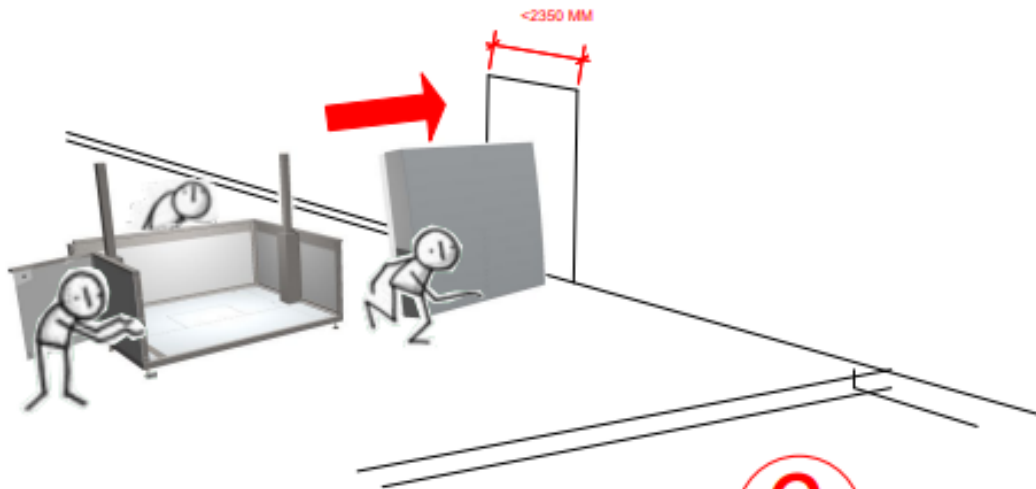


## 5 OUTDOOR INSTALLATION

# PASSAGE SIZE



UNIT IS DELIVERED IN ONE PART



TO BE DISMANTLE IF NECESSARY

## ⑥ INDOOR INSTALLATION