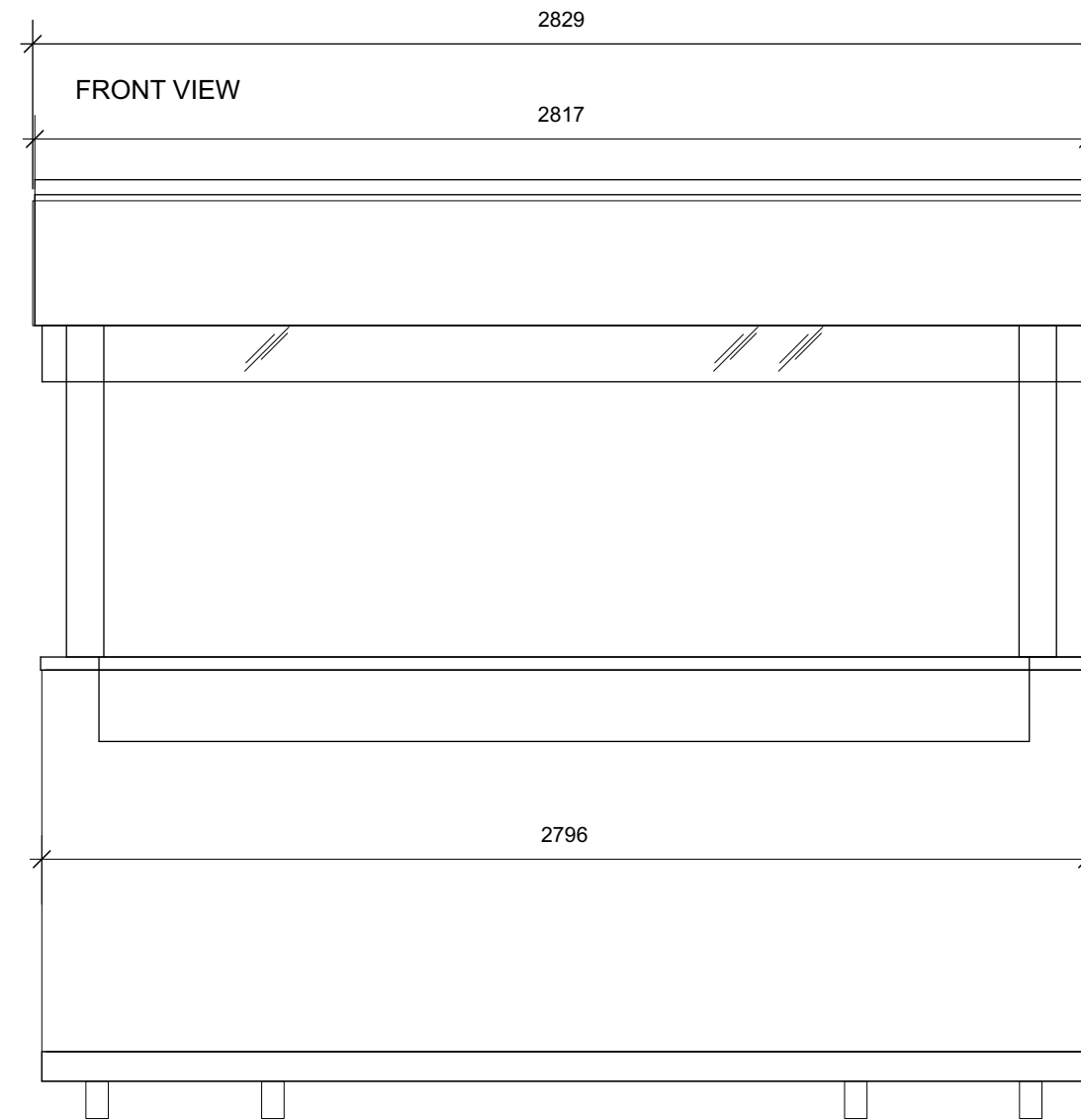
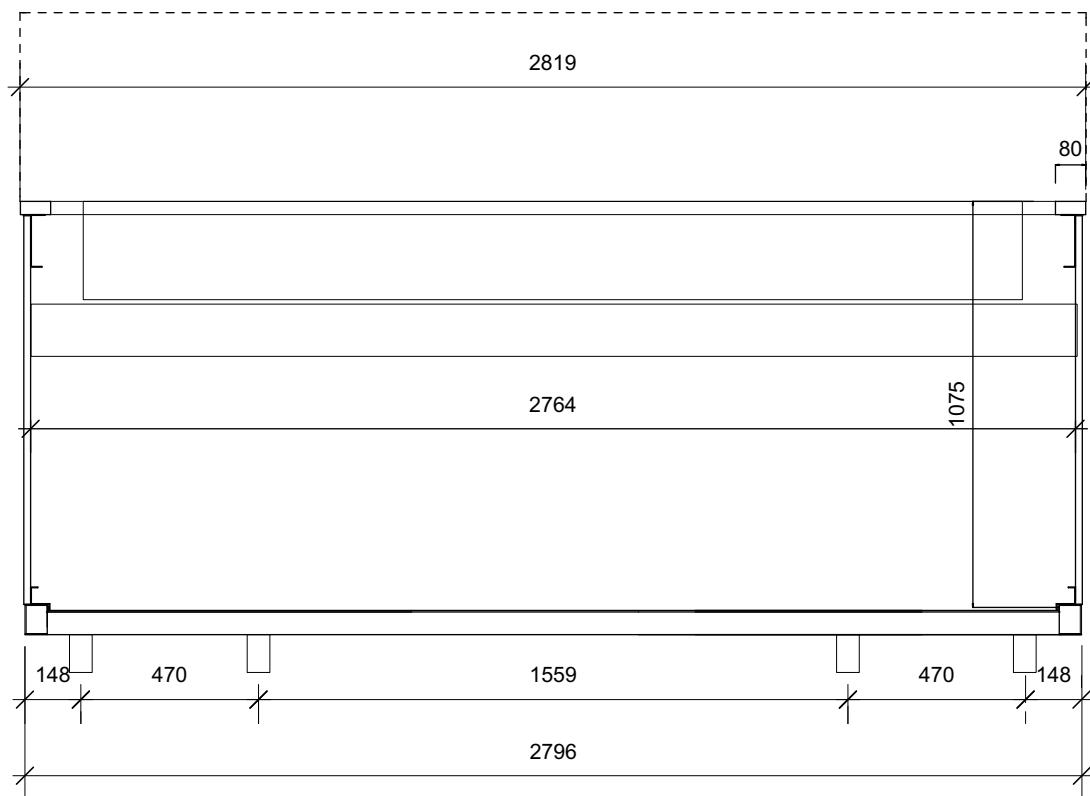


SECTION



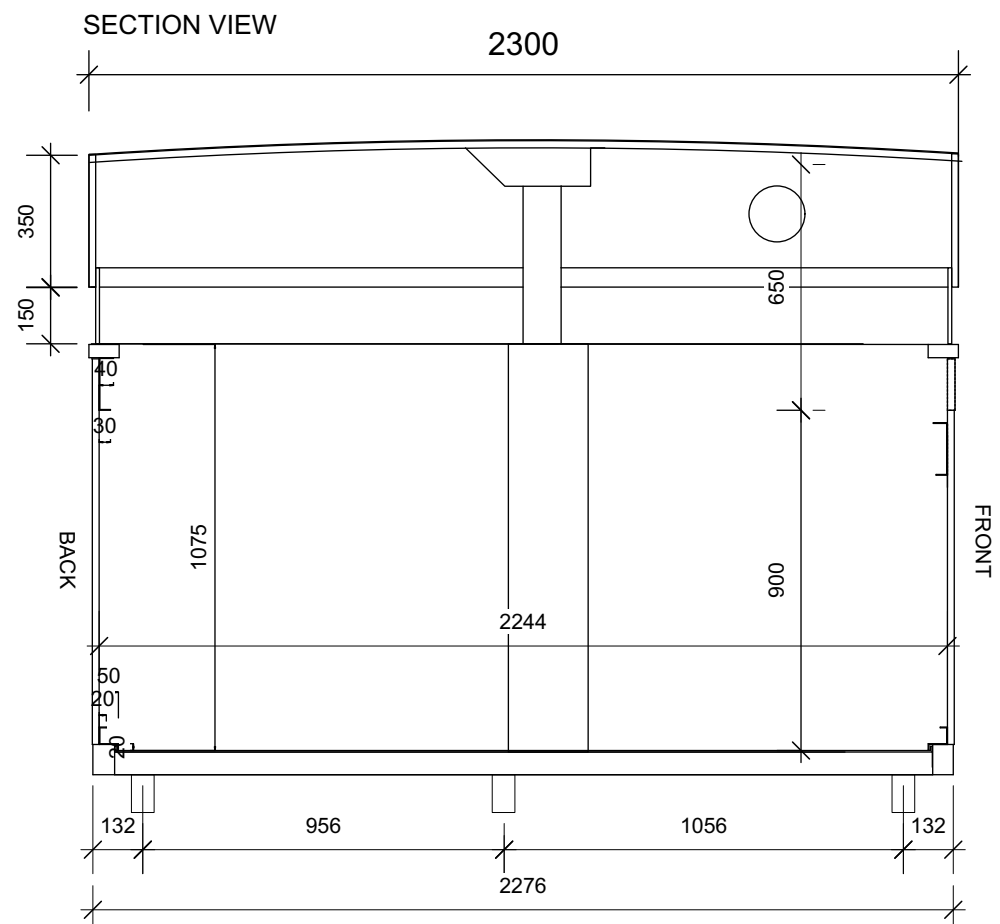
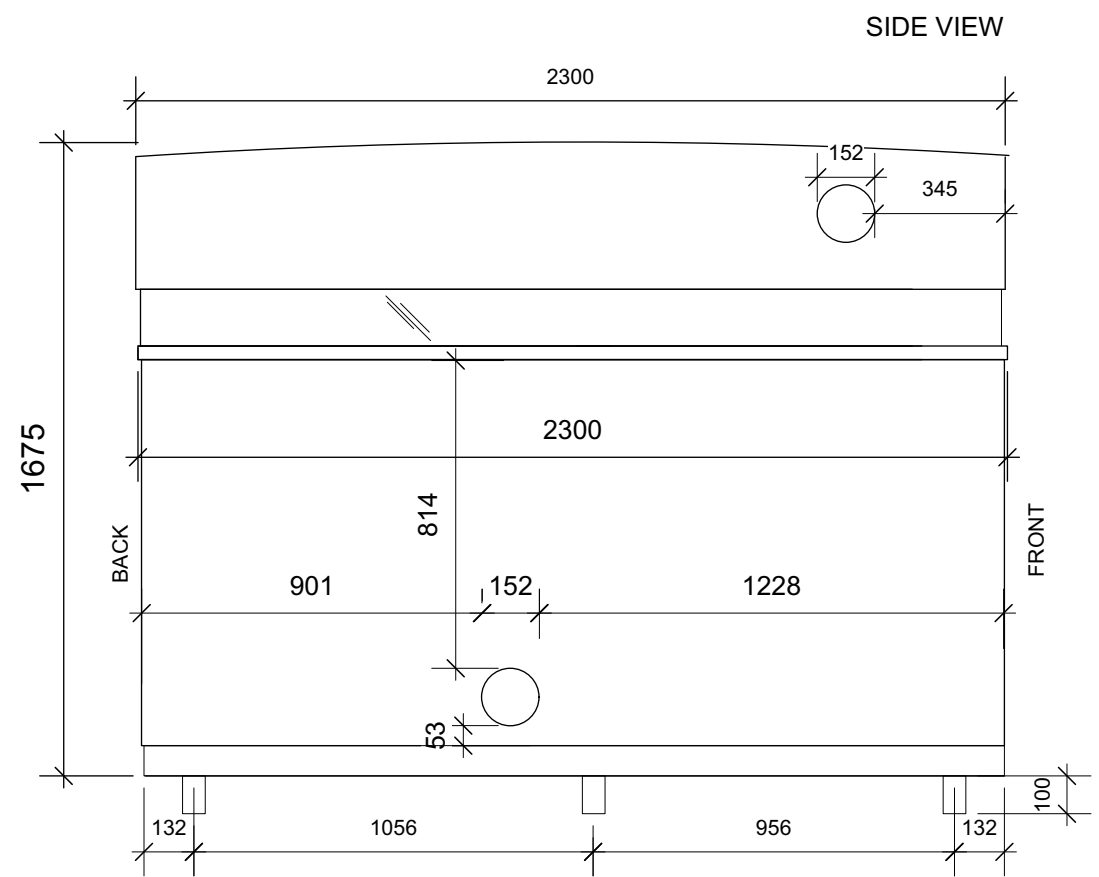
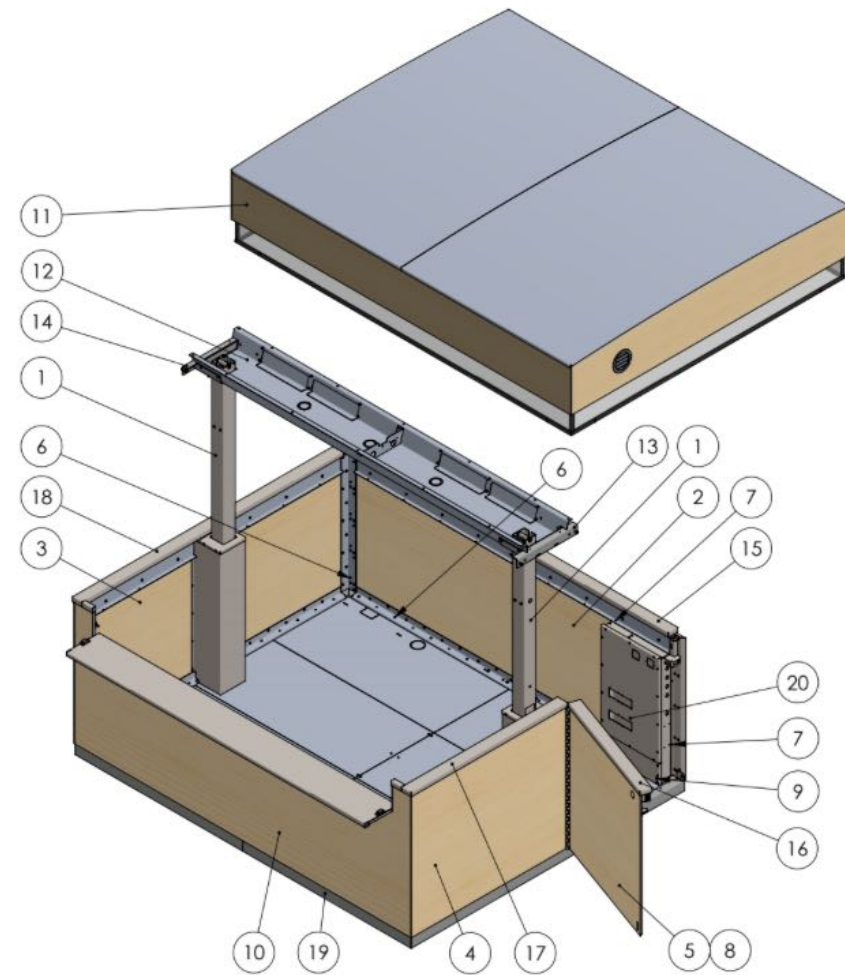
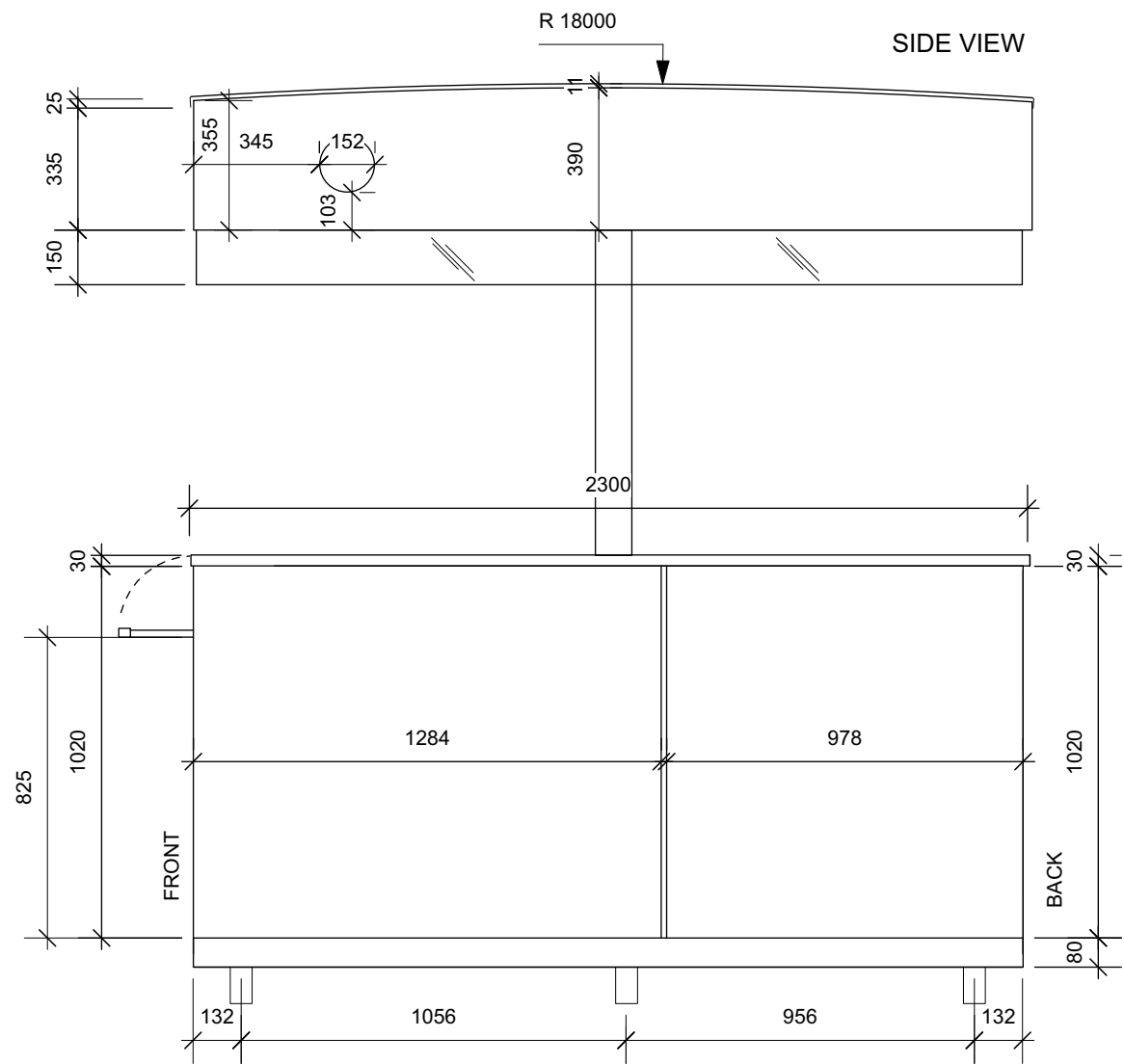
- IN THE WALLS**
- 4 PCS x 230V OUTLETS IN FRONT WALL
 - 4 PCS x 230V OUTLETS IN BACK WALL
 - 2 PCS x CAT CONNECTOR
 - 2 PCS x USB CONNECTOR

- ON THE CEILING**
- 1 PCS JUNCTION BOX 230V
 - 1 PCS CAT CONNECTOR
 - 3 PCS LED LIGHTS

WEIGHT 634 KG

TOPBOX 29L





WEIGHT 634 KG

TOPBOX 29L

